

INSTRUCTIONS FOR USE 

JASOPELS GASBOX WITH A STAINLESS KILLING BOX

PRODUCT NO. 43200023



Our quality – Your choice Jaspels

TABLE OF CONTENTS

Declaration of conformity	5
Introduction	6
Copyrights	6
Explanation of symbols	7
Machine presentation	8
Safety measures	8
Warning labels and their location	9
Transport	12
Commencement of operation	12
User safety	13
Technical information	13
GasBox machine structure	14
View of internal units	16
Operation	16
Control panel	17
Device start up and use:	17
Manual start up	18
HONDA engine	18
Oil alert system (in selected types)	18
Inspection before start-up	18
Starting the engine	20
Engine stop	23
Troubleshooting	26
Maintenance	26
Maintenance schedule	27
Replacement of fuses	28
Disposal	30
Accessories	30

DECLARATION OF CONFORMITY

ANNEX II OF THE MACHINERY DIRECTIVE

Type designation: Jasopels Gasbox with a stainless killing box
Device description: Device is intended for humane killing of minks
Date:

Manufacturer: Jasopels A/S
Name: Jasopels
Address: Fabriksvej 19
Postcode: 7441 Bording

THE DEVICE MEETS THE FOLLOWING STANDARDS:

- 2006/42/EC Machinery Directive
- 1099/2009/EC Council Regulation on the protection of animals at the time of killing
- 93/119/EC Directive on the protection of animals at the time of slaughter or killing

PRODUCT MEETS THE STANDARDS WHEN


the following harmonised standards apply:

- PN-EN ISO 12100:2012: Safety of machinery – General principles for design – risk assessment and reduction

PERSON RESPONSIBLE FOR THIS DECLARATION:

Name: Poul A. Bach
Company name: Jasopels a/s
Address: Fabriksvej 19
Postcode: 7441 Bording

Signature



Date 21.09.2017

The Administrative Director, Poul A. Bach, Fabriksvej 19, 7441 is authorized to submit technical documentation.

INTRODUCTION

- Thank you for purchasing Jasopels Gasbox with a stainless killing box.
- These Instructions for use and safety notes are necessary for safe and proper use of this device.
- Read it carefully before use and refer to it when needed.
- Instructions for use contain important information on safety and use of the machine. All users of the machine should be trained to be able to use it properly.
- A person supervising work is also responsible for instruction of the machine operator.
- Instructions for use must be stored in an easy-to-reach place for the operator. Instructions for use and the declaration of conformity must also be provided to a new user, if the device is resold or lent.
- The machine owner must ensure that the machine operator, technical maintenance personnel and any other persons having access to the machine were properly instructed on how to use and handle the machine .
- For more information, see the following part of the instructions.

COPYRIGHTS

These instructions for use were published by Jasopels A/S, which owns all rights related to it. The document or its parts may not be reproduced, copied or distributed in electronic or paper form without a written consent of Jasopels A/S.

Jasopels A/S reserves the right to continuously update the instructions and documents to reflect the current version of the product, and the company is not obliged to update already distributed copies of documents.

Jasopels A/S will publish information on important changes to the instructions or other documentation for its devices on the website.

Instructions for use are drawn up in Danish and the Danish version is applicable despite available translations. Danish original is always their source.

All trademarks provided in these instructions are owned by their owners.

The company reserves the right to make technical changes without prior notice in order to improve our machines or their safety standards.

EXPLANATION OF SYMBOLS

Please read the instructions for use and follow the recommendations contained.
To emphasize the importance of some information, the following phrases were used:

NOTE!



A triangle with an exclamation mark inside is a warning symbol informing on important instructions/warnings or machine-related information.

WARNING!



A triangle containing a warning on the risk of crushing.

INFORMATION



Wear hearing protection.

INFORMATION



Before starting work, a user must read the instructions for use.

MACHINE PRESENTATION

- Jasopels Gasbox with a stainless killing box is a high-class device used on fur animals farms for mink slaughter.
- The machine cannot be used as towing means used to transport people or live animals other than fur animals on farms.
- GasBox is a specialized machine operated by the operator. The applied construction solution ensures that the machine will not move by itself. To move the device, it must be operated by an operator.
- The speed controller must always be in neutral position when starting the engine. The machine is designed to avoid unexpected movement and that the driver cannot directly access the rotating parts of the engine - air cooler and belt. The device is also equipped with a safety roll bar protecting against crushing the operator when the machine is moving backwards.
- To kill minks, carbon dioxide and carbon monoxide are used. They may affect the well-being and health of the operator or, in extreme cases, lead to death, therefore the device should be used in well-ventilated rooms.
- According to European directives, the machine provides painless death to animals.

SAFETY MEASURES

IMPORTANT:

The machine can only be used in a ventilated/airy room. It is prohibited to use it in closed rooms.



IMPORTANT:

Do not use an open flame near the device. It is prohibited to smoke cigarettes, use lighters or other sources of fire. When the required concentration is reached, gas is flammable and potentially explosive.



IMPORTANT:

Keep a safe distance from the container inlet. CO₂ and CO can escape through the opening. Inhalation of these gases may cause discomfort, nausea, dizziness and even, in extreme cases, death.



IMPORTANT:

Make sure that there are no children or unauthorized persons near the machine.







INFORMATION:





It is advisable to wear hearing protection when using/operating the machine. Prolonged exposure to the working/running machine may cause stress, buzzing in the ears or fatigue.

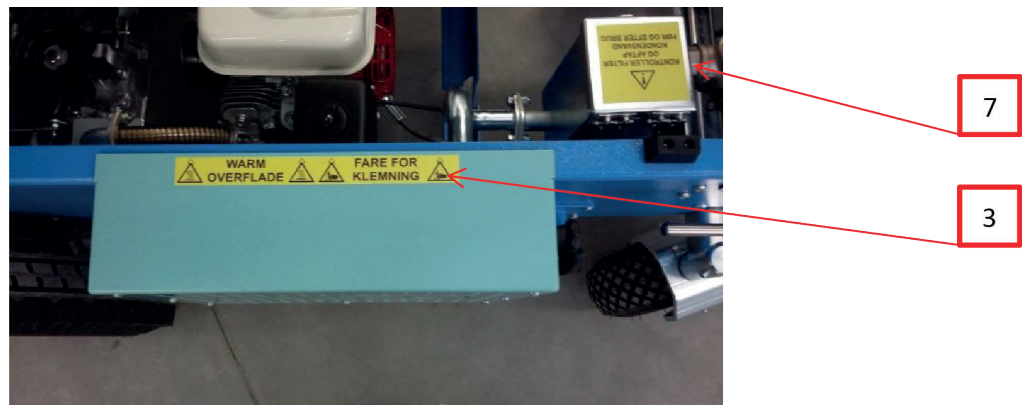
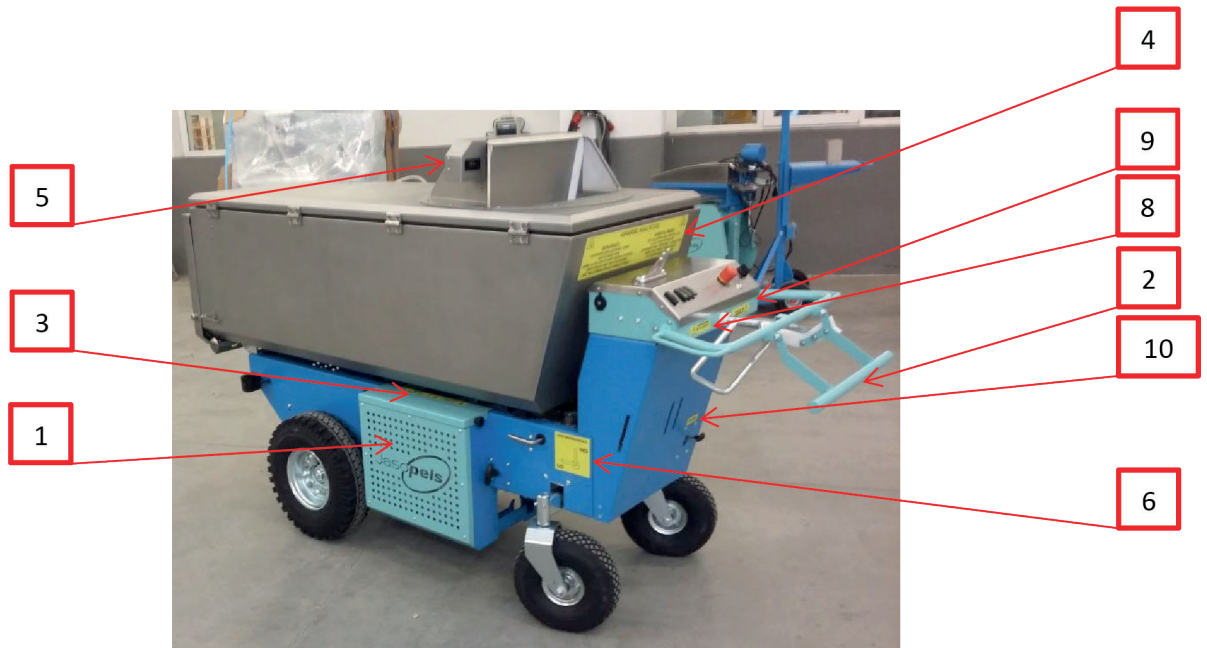
If the machine is operated by two or more employees, they must be provided with a possibility to verbally communicate with each other.



WARNING LABELS AND THEIR LOCATION

1	FLOODED WITH COOLANT MINIMUM TEMPERATURES - 25 °C TOTAL VOLUME 8 LITERS
2	AFTER STARTING THE ENGINE, OPEN A SAFETY ROLL BAR
3	 HOT UNITS   POSSIBILITY OF CLAMPING 
4	ATTENTION Carbon monoxide (CO) SAFETY: - USE IN OPEN OR VENTILATED ROOMS ONLY - PAY ATTENTION THAT THE WIND BLOWS IN THE BACK OF THE OPERATOR - WHEN FEELING UNWELL, LEAVE THE MACHINE - READ THE RULES FOR HUMANE MINK KILLING RECOMMENDATIONS: - WHILE KILLING WITH EXHAUST GASES, CO CONCENTRATION MUST BE 1.5-2.0 % - BEFORE KILLING, THE MACHINE MUST RUN FOR 3-5 MINUTES - CARRY OUT TESTS FOR CO PRESENCE

5	<p>Order of procedures during operation of the device</p> <ol style="list-style-type: none"> 1. Start adding carbon monoxide (CO), carbon dioxide (CO₂). 2. If carbon monoxide is used from the engine, it must be run through a water tank or cooler. When it was found that the gas was cooled and the irritants were filtered out with a mineral wool mat or its equivalent, the work can be started. 3. Killing box must be filled in with a gas before animals are placed inside. Use a lighter to check if oxygen is inside the killing box. If a lighter goes out, the process can be started. 4. Minks are placed in the killing box separately as soon as they are caught. 5. When carbon dioxide (CO₂) and carbon monoxide (CO) are used, minks lose consciousness after a very short time (approx. 19 seconds) and die after approx. 2.5 - 3.5 minutes. During work, the progress can be observed through the inspection window, to check whether there are any problems in the process of slaughter. 6. Killing box can be opened only when it is confirmed that animals are dead.
6	
8	
9	
10	<p>WOLNE KOŁO</p>
11	



IMPORTANT INFORMATION FOR A PERSON SUPERVISING WORK.

NOTE!

- The person supervising work must ensure that the machine operator, technical maintenance personnel and any other persons having access to the machine were properly instructed on how to use and handle the machine .

For further information, read these instructions carefully.

- The machine can only be used for the purposes for which it was designed (for mink killing).
- NEVER allow untrained persons to operate the device.
- If there are any problems related to the machine or its operation, do not try to solve them before disconnecting the device from the power supply.
- The instructions for use should always be kept in a place accessible to the operator.



NOTE!

- Slaughter of fur animals can only be carried out by qualified persons.



TRANSPORT

Jasopels delivers the GasBox killing cart on a pallet with one ignition key to start the machine. The machine is attached to the pallet during transport and the wheels are secured with wedges. The machine can be lifted only with lifting devices, however its structure allows for sliding off the pallet after removal of protections. The ignition key is not inserted into the ignition switch at the time of machine delivery.

The device must be placed on a flat and stable surface.

COMMENCEMENT OF OPERATION

- Before commencement of operation, read these instructions.
- Before commencement of operation of GasBox machine, check whether the machine has been placed on a firm and stable surface.

Before first use:

1. Check the engine oil level.
2. Check the gasoline level.
3. Check the coolant level in the exhaust gas cooler.

THE MACHINE CAN BE USED TO KILL MINKS ONLY.

DANGER!

To avoid injuries, such as crushing fingers, etc., it is necessary to comply with safety regulations and avoid touching moving parts of the machine.

It applies primarily to the elements located under the killing box.

Any maintenance or repairs can only be carried out if the machine is switched off.



- Do not try to manually stop moving parts of the machine. To avoid dangerous situations, always use an emergency stop switch. It will immediately stop the machine.

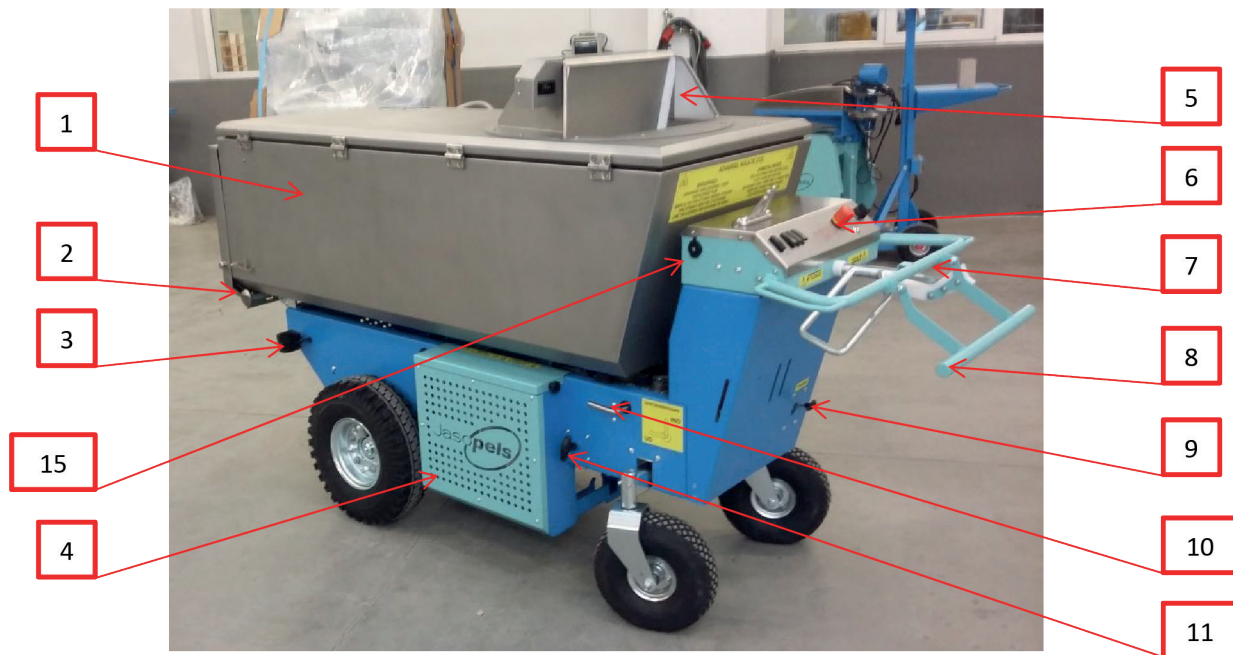
USER SAFETY

1. The machine operator must be thoroughly instructed in the use of the machine and familiarized with the instructions for use and safety regulations. A person supervising work is responsible for proper instruction of machine operators.
2. Jasopels provides continuous trainings on the safe use of the machine. The courses are conducted by the Jasopels technician at the company's headquarters at Fabriksvej 19, 7441 Bording.

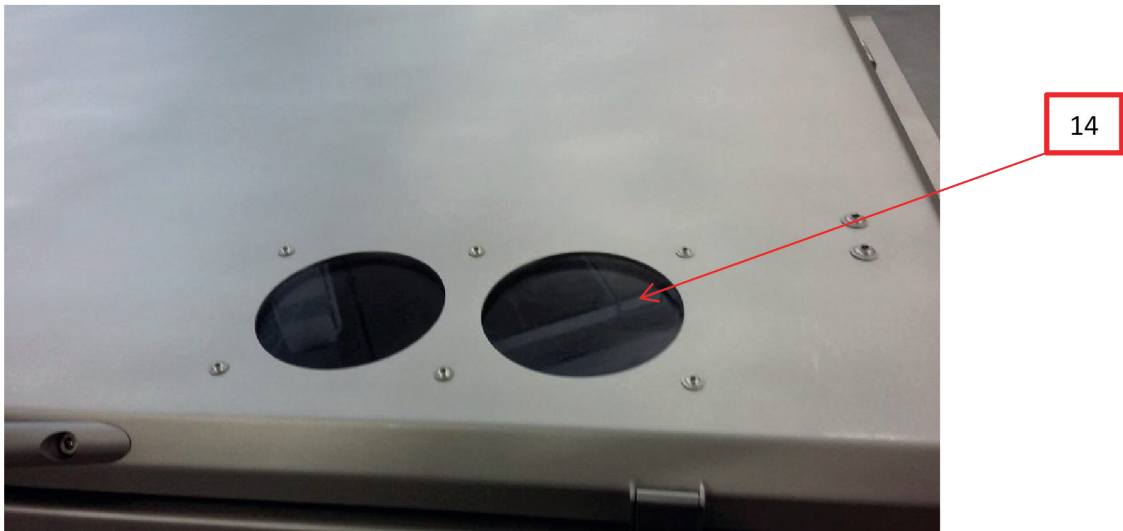
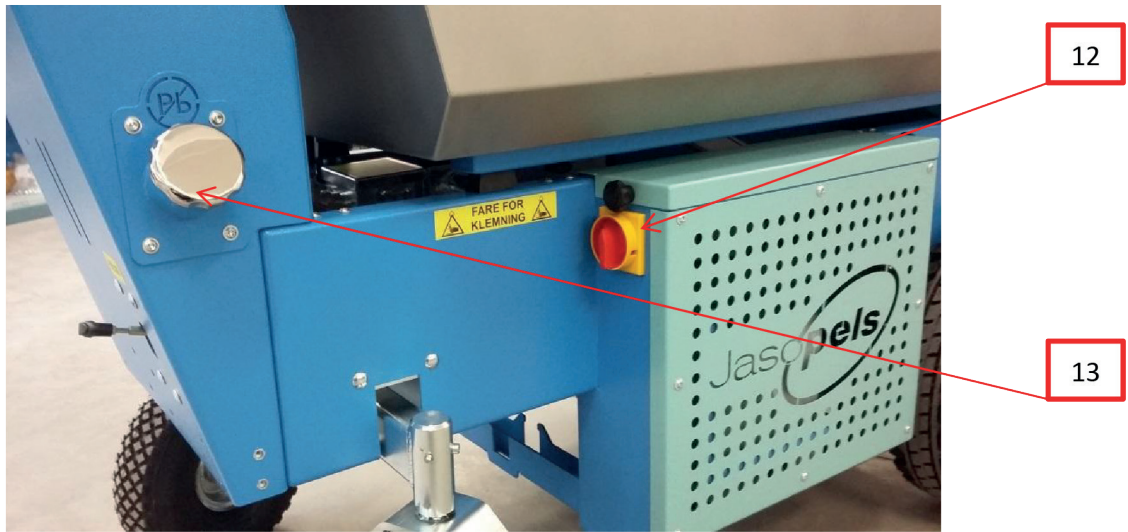
TECHNICAL INFORMATION

Length-width-height	2.31 m (2.47m) x 0.8 m x 1.42 m
Unladen mass	350 kg
Maximum permissible laden mass	800 kg
Battery	12V 40Ah
Drive wheels	Ø465 mm 5.00-8
Steering wheels	Ø300 mm 4.00-4
Engine	Honda GX200 UT2 SXE 50H

GASBOX MACHINE STRUCTURE

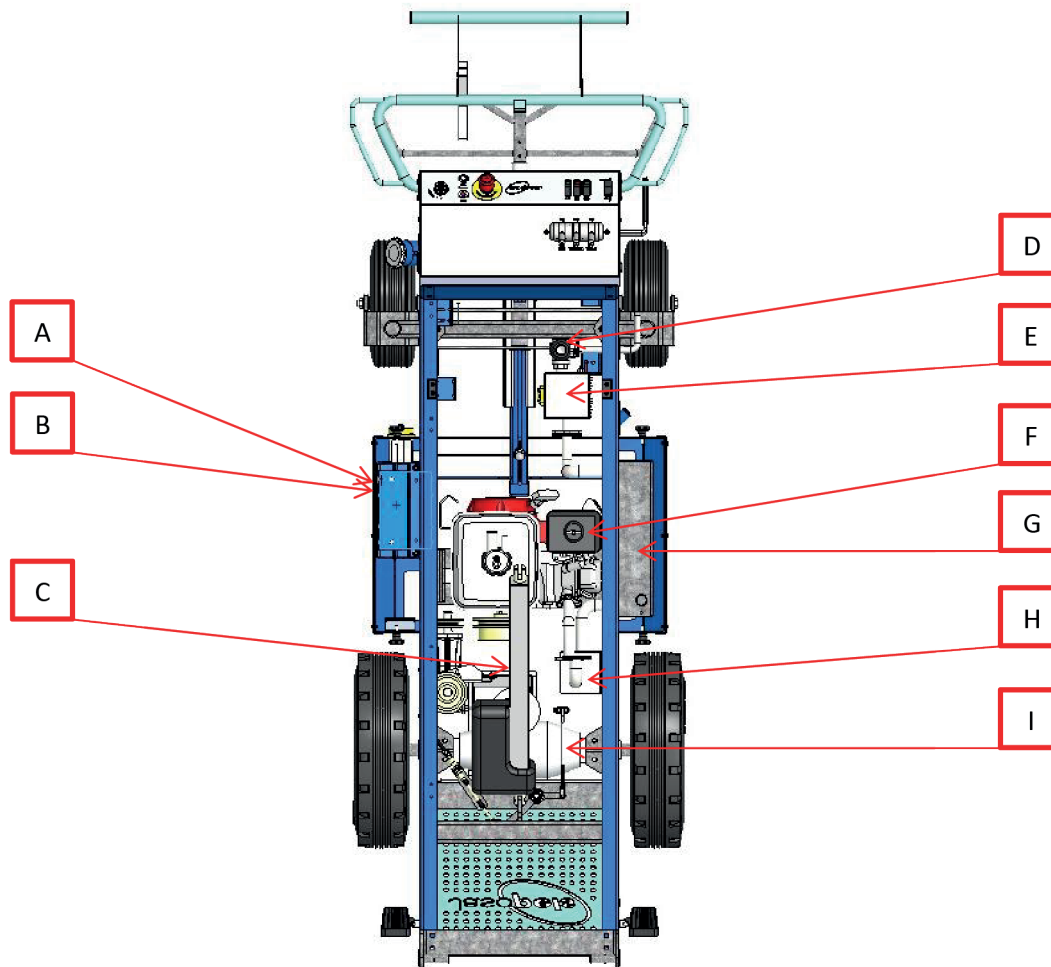


1	Killing box
2	Manual cover opening switch (handle from the other side of the machine)
3	LED lightening
4	Side casing
5	Insertion opening
6	Control panel
7	Pilot handle with a control handle
8	Safety roll bar
9	Gear unit release strand (free wheel)
10	Exhaust outlet selector
11	Engine manual start up
15	Socket with additional power supply



12	Main power switch
13	Filling unit
14	Inspection window

VIEW OF INTERNAL UNITS



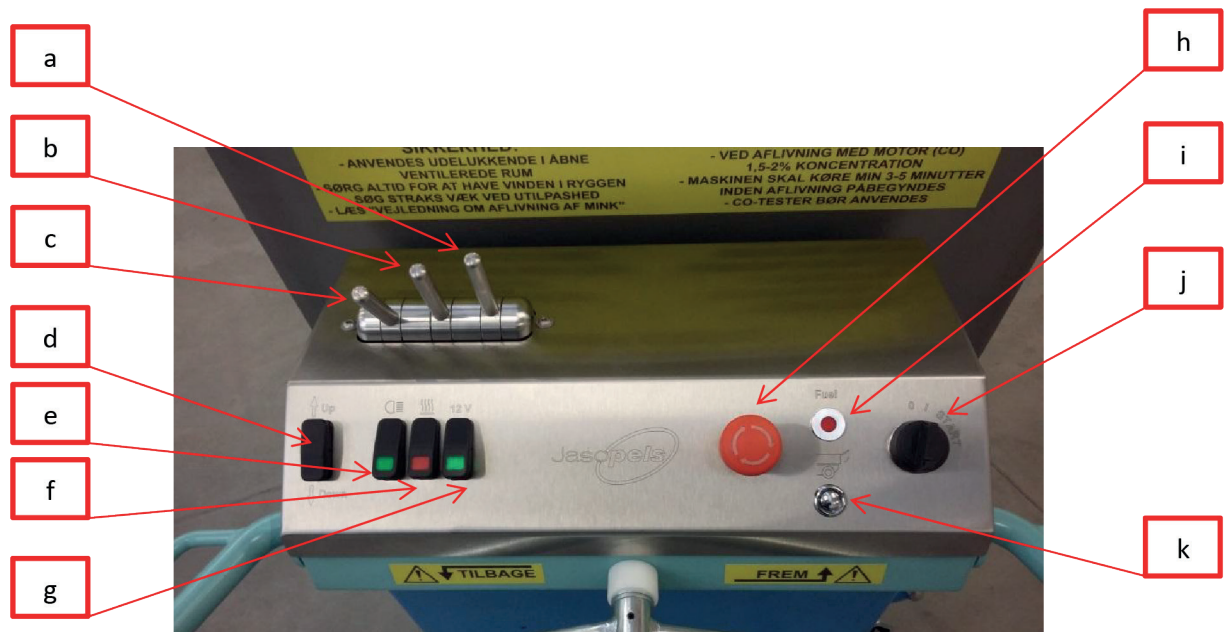
A	Battery
B	25A main fuse
C	Box lifting servo-motor
D	3-way valve – exhaust outlet selector
E	Particulate filter
F	Engine air filter
G	Exhaust cooler
H	Flame catcher
I	Hydrokinetic torque converter with a differential gear

OPERATION

Before every use:

1. Check the engine oil level.
2. Check the gasoline level.
3. Check a condensate – drain at least once every 2 hours.
4. Check the coolant level in the cooler.
5. Check the dustiness of exhaust gas filters.

CONTROL PANEL



a	Opening/closing of fuel supply
b	Opening/closing of suction
c	Acceleration lever
d	Box lifting/lowering – non-stale three-position switch
e	Front lightening
f	Guide handle heating
g	Additional socket on/off switch
h	Emergency stop switch
i	Fuel light
j	Ignition switch
k	Remote box opening

DEVICE START UP AND USE:

1. Turn on the main power switch
2. Open the fuel supply. (a)
3. Open suction. (b)
4. Gently move the acceleration lever (c).
5. Turn a key in the ignition switch. (j)
6. Ensure that the exhaust gas outlet selector (10) is in a position allowing for exhaust gases coming from the engine into the box.
7. Place hands on the guide handle and grab the control handle. (7) Pull the control handle up. This will make the vehicle move forward (pulling the handle on the left will force the movement backwards).
8. After slaughtering the animals, make sure all the animals are dead by looking into the box through the inspection window. (14)

9. Change the position of the exhaust outlet selector. (10)
10. By means of the remote box opening button (k), release the cover in the front of the box.
11. By means of the box lifting button (d), empty the box. Push the button until the box is lifted to the desired height.
12. To lower the box, push the button (d) again.
13. Press the cover manually.
14. When finishing the machine operation, turn the key in the ignition switch. (j)
15. Reduce acceleration (c), close suction (b) and fuel supply (a).
16. Turn off the main power switch (12). If the power is left on, the battery may get discharged.

MANUAL START UP

If the battery is discharged, or the engine cannot be started using the control desk, it is possible to start it manually. The manual start handle is located on the left side of the device. It is also possible to manually start the engine by means of the built-in control, after lifting the killing box.

HONDA engine

OIL ALERT SYSTEM (IN SELECTED TYPES)

Oil Alert System is to prevent damage to the engine caused by insufficient amount of oil in the crankcase. Before the oil level in the box drops below the safe limit, the Oil Alert system will automatically shut off the engine (the ignition switch will remain in the "ON" position). If the engine turns off and cannot be started, check the engine oil level before looking for a fault.

INSPECTION BEFORE START-UP

IS THE ENGINE READY TO START?

Due to safety reasons, and in order to ensure the longest possible trouble-free operation of the engine, it is necessary to check its condition before each start-up. Before starting the engine, all detected malfunctions must be removed or have them removed by an authorized Honda service center.

NOTE!

Improper engine maintenance or failure to eliminate a fault before operation may result in a malfunction that exposes the user to serious injury or death.

Before every start-up, inspect it and remove any irregularities.



Before starting the inspection, place the engine in a horizontal position and make sure that the ignition switch is in the "OFF" position.

Before starting the engine, always carry out the following checks:

Inspection of the engine general condition

1. Check for any signs of oil or fuel leakage on the ground under and around the engine.
2. Remove dirt, especially around the air filter and starter.
3. Pay attention to possible signs of damage.
4. Make sure that all housing and covers are fitted and all nuts, bolts and screws are tight.

ENGINE LIGHT

1. Check the fuel level. Starting work with a full fuel tank will reduce or eliminate the frequency of refueling stops.
2. Check the engine oil level. Working with a low oil level can cause permanent engine damage. The Oil Alert System (in selected types) will automatically stop the engine before the oil level falls below the safe limit. However, to avoid the inconvenience of a sudden engine stop, always check the oil level before starting.
3. Check the oil level in the reduction gear in the appropriate engine types. The right oil level is critical to the smooth operation and life of the gear.
4. Check the arrangement of the air filter. A dirty air filter pack will make the flow of air to the carburettor difficult, affecting the performance of the engine.
5. Check the device driven by this engine.
Read the instructions provided with the device driven by this engine, paying attention to the precautions and procedures to be followed before starting the engine.

IMPORTANT:

For your own safety, do not start the engine in closed rooms, such as a garage.

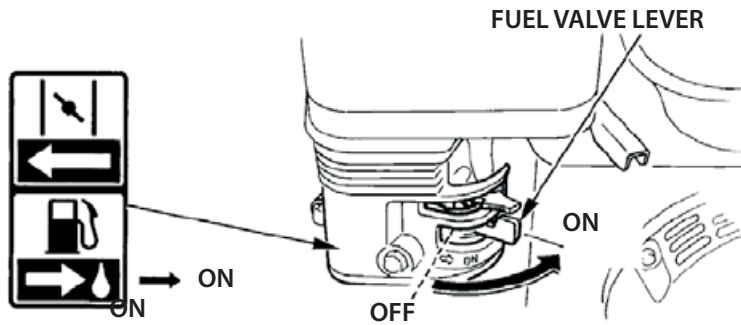
Never run the engine in closed or even partially restricted spaces where third parties may appear.

Engine exhaust fumes contain poisonous carbon monoxide, which may accumulate in a closed room in quantities harmful to health. Inhaling carbon monoxide may cause unconsciousness and even death.

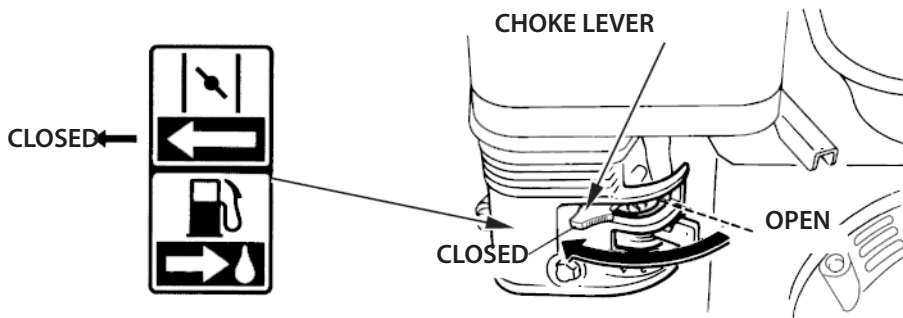


STARTING THE ENGINE

1. Move the fuel valve lever to the **ON** position.



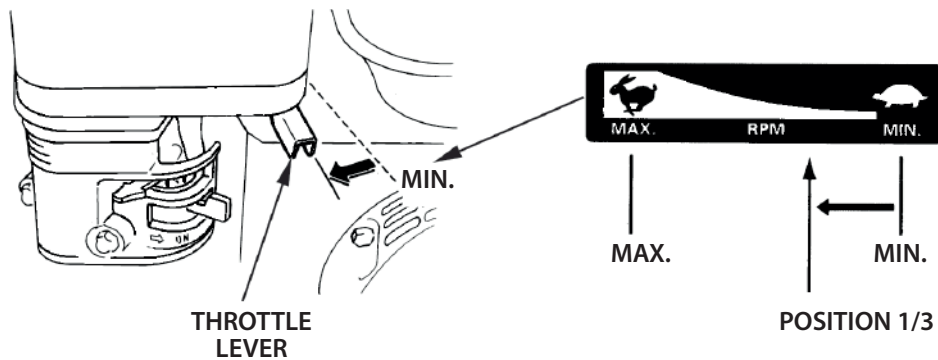
2. If the engine is cold, move the choke lever to the **CLOSED** position.



If the engine has been running recently and is still warm, move the choke lever to the **OPEN** position.

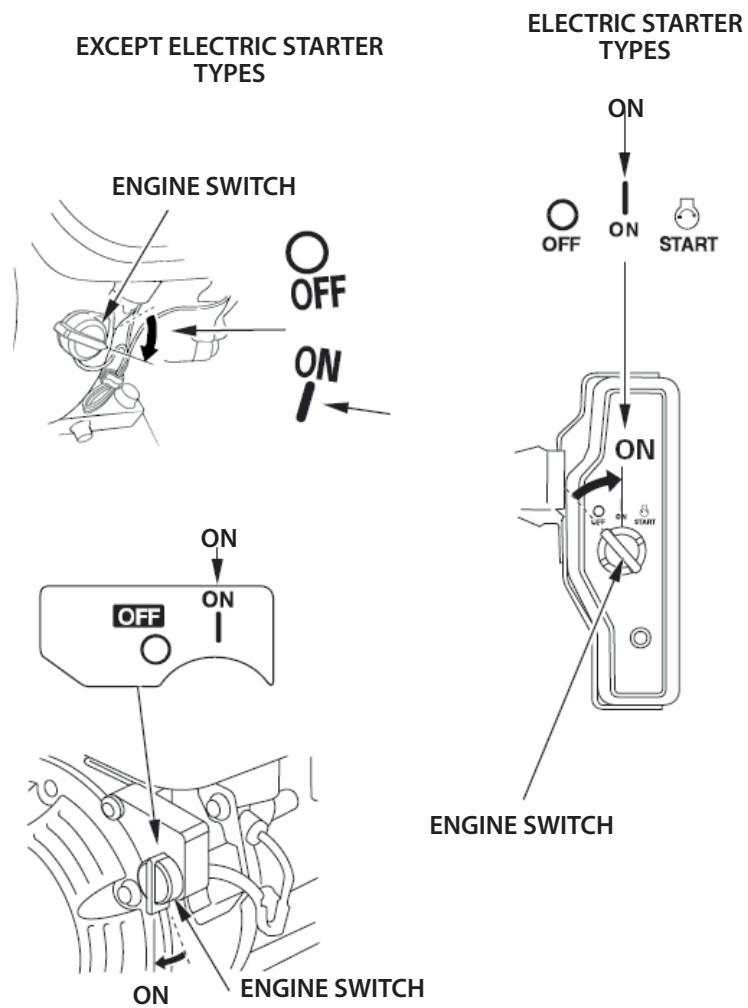
In some engine installations, instead of the choke lever shown here installed on the engine, a control element mounted away from the engine is used. Read the instructions provided by the manufacturer of the driven device.

3. Move the throttle lever away from the **MIN** position up to 1/3 of the range between **MIN** and **MAX**.



In some engine installations, instead of the choke lever shown here installed on the engine, a control element mounted away from the engine is used. Read the instructions provided by the manufacturer of the driven device.

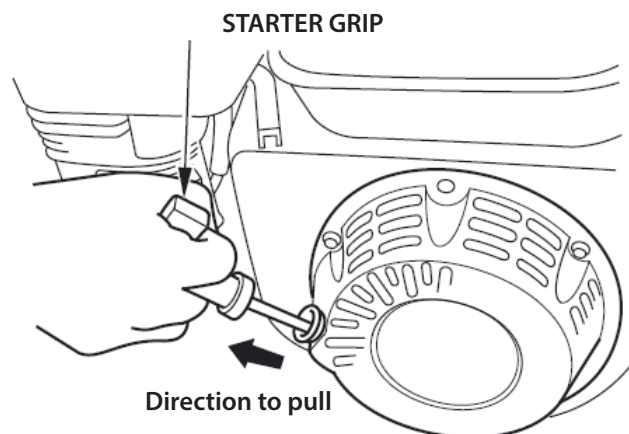
- Turn the ignition switch to the ON position.



- Use the starter.

MANUAL LINE STARTER:

Pull the starter handle lightly until resistance is felt, and then pull it firmly and rapidly. Gently move the starter handle into place.



NOTE!

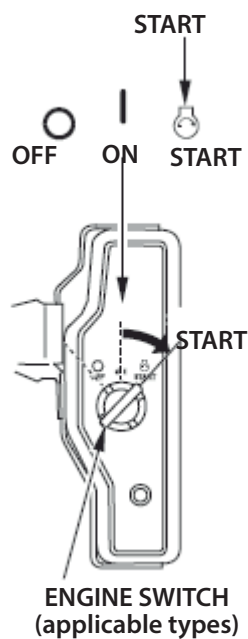
Do not let the returning cable with the starter handle hit the engine. Turn the handle gently, taking care not to damage the starter.



ELECTRIC STARTER (in selected versions):

Turn the key to the START position and keep it in this position until the engine starts.

If the engine does not start within 5 seconds, release the key and wait at least 10 seconds before trying to start again.



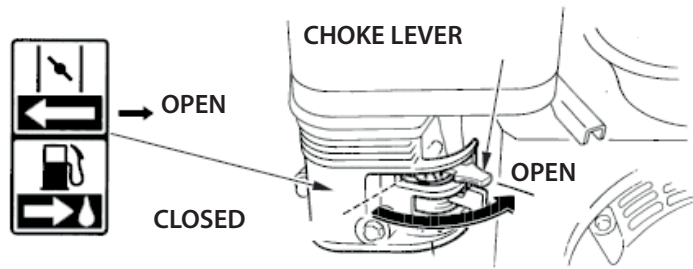
NOTE!

Continuous operation of the electric starter for more than 5 seconds will overheat the starter motor and may damage it.

After starting the engine, release the key, allowing it to return to the ON position.



6. If the choke lever has been moved to the CLOSED position to start the engine, gradually move it to the OPEN position as the engine warms up.

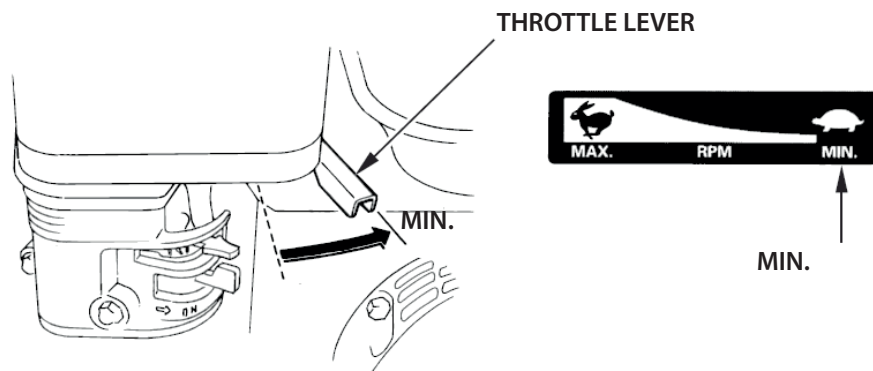


ENGINE STOP

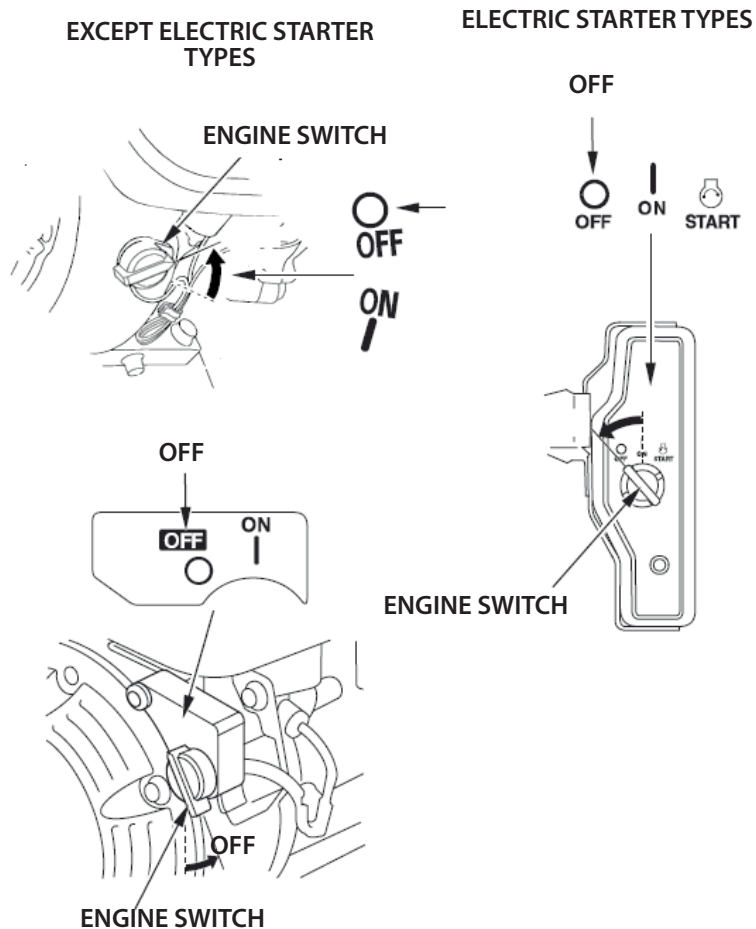
To stop the engine immediately in case of danger, simply set the ignition switch to OFF. Under normal circumstances, follow the procedure below. Read the instructions by the manufacturer of the driven device.

1. Move the throttle lever to the MIN position.

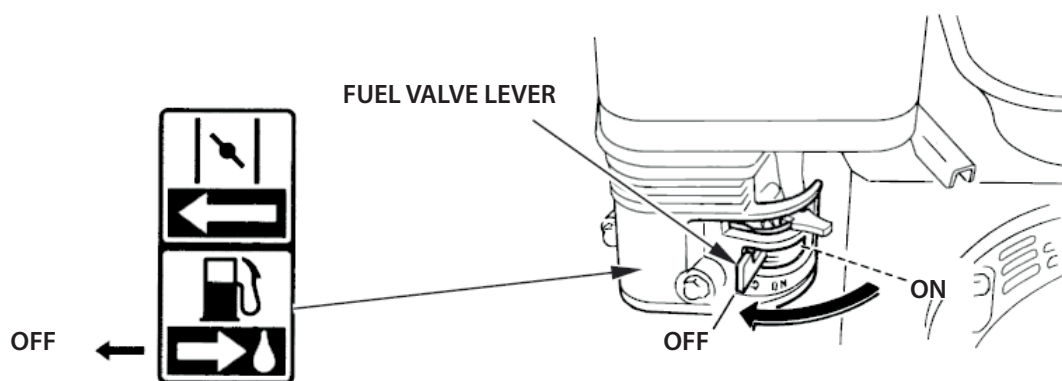
In some engine installations, instead of the throttle lever mounted on the engine shown here, a control element mounted on the device is used.



2. Turn the ignition switch to the OFF position.



3. Turn the fuel valve to the OFF position.

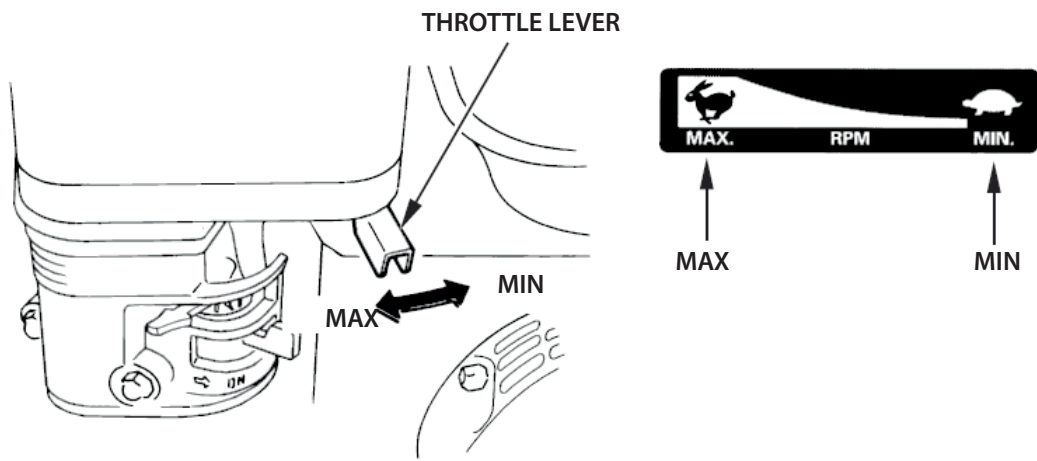


Engine adjustment

Turn the throttle lever to achieve the desired engine speed.

In some engine installations, instead of the throttle lever mounted on the engine shown here, a control element mounted on the device is used. Read the instructions provided by the manufacturer of the driven device.

For information on the recommended engine speed in a given application, refer to the instructions for use of the device driven by this engine.



TROUBLESHOOTING

Problem	Solution
Starter does not work	- check the battery charge - turn the key in the ignition switch, if it does not work, try a manual start
Engine does not turn on	- check if the main power switch is on - check that the cooler is not frozen - check if it can be started manually (there is no information in the text on how and when to use it) - check the engine oil level - check the gasoline level - check the gas and suction operation - check a condensate – drain at least once every 2 hours.
Engine works well, but the machine does not move	- check if the free cable is loose (namely, the free gear lever is pulled) Stop the engine. Check the wedged belts between the engine and the transaxle system (under the engine compartment cover).
The machine turns on but the regulator arms are in the neutral position.	- check and adjust the spring on the gearbox. Lubricate the rigid cable bearings on the gearbox.
Dirt gets into the box	- check and replace the exhaust gas filters.
Device loses stability	- due to the center of gravity located high, the device may lose its stability while driving on curves, if the load is too large. Adjust the speed to conditions and load. It is recommended not to exceed the permissible load of the box.

MAINTENANCE

IMPORTANT:

Maintenance should not be performed while the machine is in operation.

After switching off the device, wait until the engine and exhaust pipe get cool.

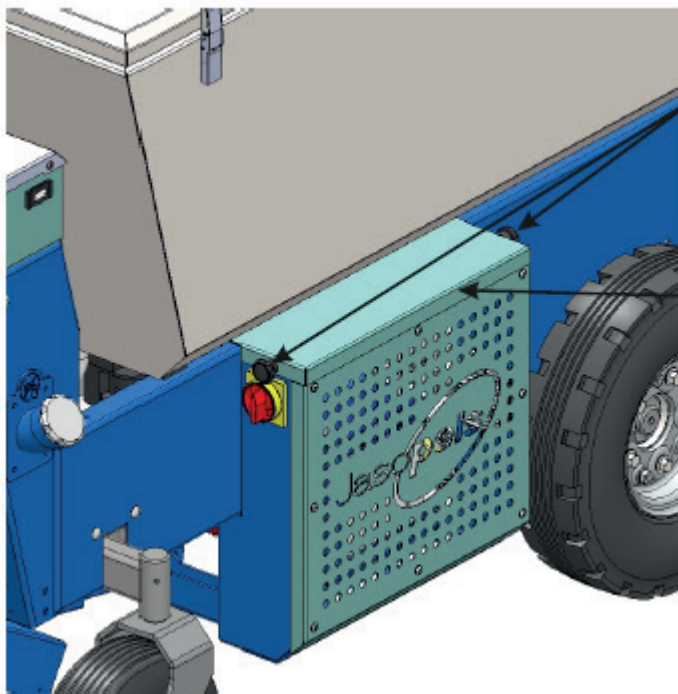


MAINTENANCE SCHEDULE

Action	Daily
Cooler – check	Before every use
Cooler – coolant change	Every 3 years
Check the engine oil level	Before every use
Engine oil change	Every year
Check the hydraulic oil level in the gear unit	Every year
Change the hydraulic oil level in the gear unit	3-5 years, depending on the intensity of use
Check the performance of the safety roll bar	Before every use
Check/clean the particle filter	Observation
Replace the particulate filter	Observation
Replace the ignition plug	200-300 man-hours
Check / clean the air filter	Before every use or every 8 man-hours
Engine - clean of solid particles (straw, etc.)	Before every use
Drain condensate	At least every 2 man-hours

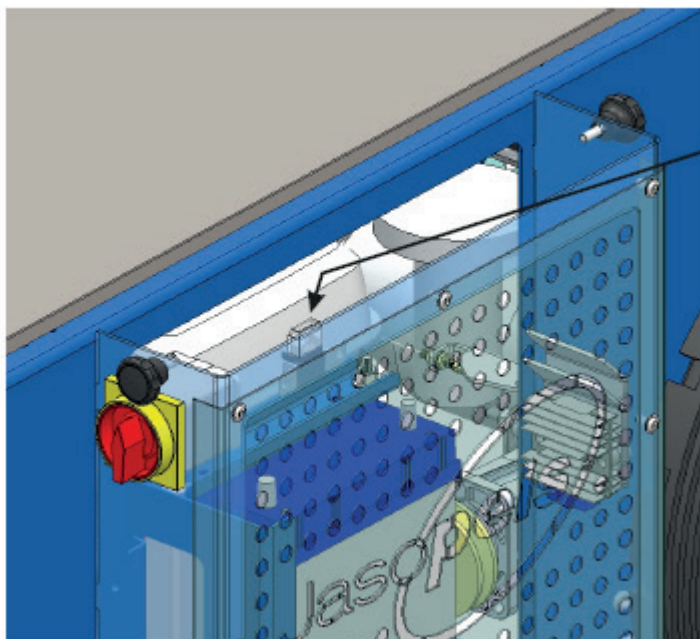
REPLACEMENT OF FUSES

ACCESS TO ADDITIONAL FUSES



Loosen handwheels

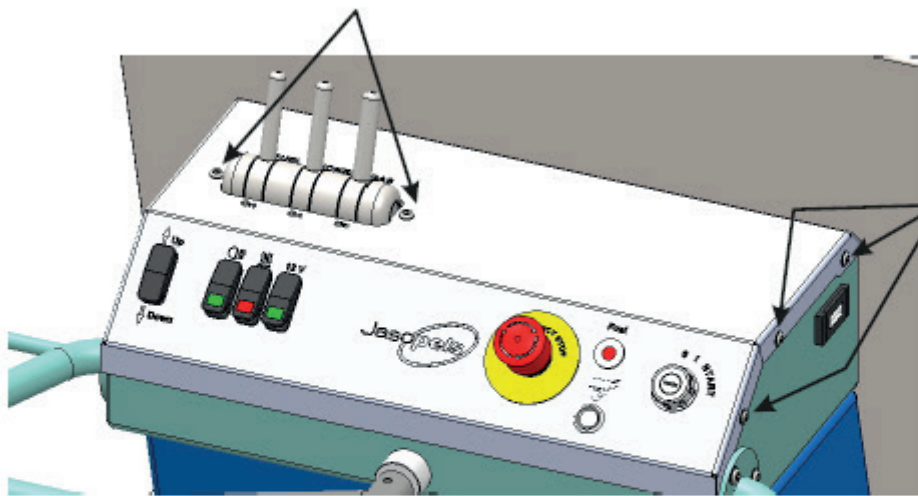
and lift a cover



A main fuse is located here
Check the fuse and connectors

ACCESS TO THE MAIN FUSE (25A)

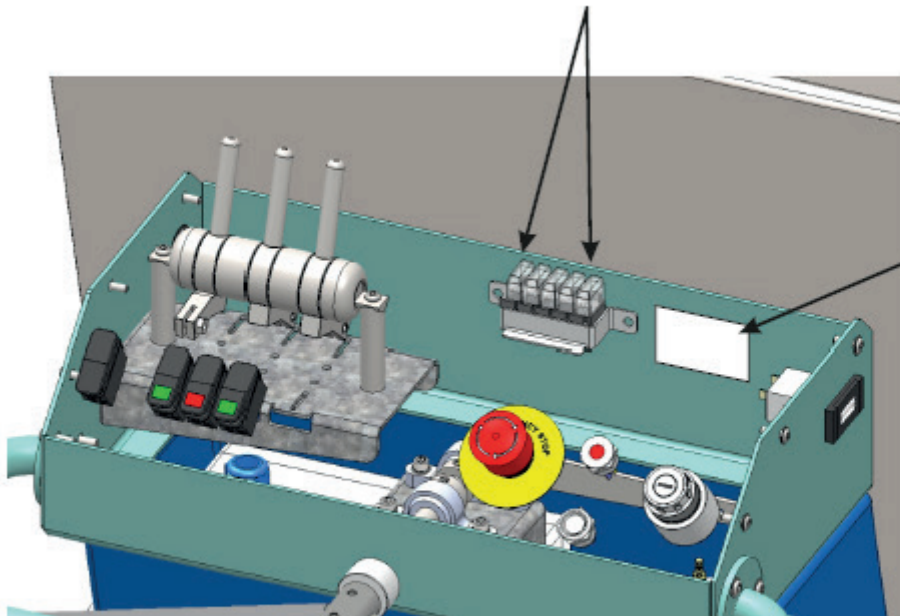
Unscrew 2 bolts M6



Unscrew 6 bolts M5
(3 on left and 3 on right)

Lift a console plate

Fuses are located here
Check the fuses and connectors



Label with the
description of
fuses

DISPOSAL

It must be noted that the device contains parts, oils, coolant, etc. hazardous to environment, which must be disposed of in accordance with applicable environmental protection regulations.

- Oils are very harmful to the environment and must be disposed of in accordance with local environmental protection regulations.
- Contact your nearest waste disposal facility for information and advice on how to safely remove and dispose of waste.

ACCESSORIES

- CO/CO2 sensor

This measuring instrument is designed to measure CO and CO2 concentrations in mink killing machines. It may be used for continuous measurement. Use this device to ensure sufficient gas concentration in the killing box during slaughter.

The mink killing box is usually filled with sufficient amount of fumes (CO) in approx. 3-5 minutes, after which it is ready for use.



NOTES



Our quality – Your choice

Fabriksvej 19 • DK-7441 Bording • Tel. 98 42 05 66 76 95 • 13 43 fax • info@jasopels.dk • www.jasopels.dk

Product No. 43200023



43200025