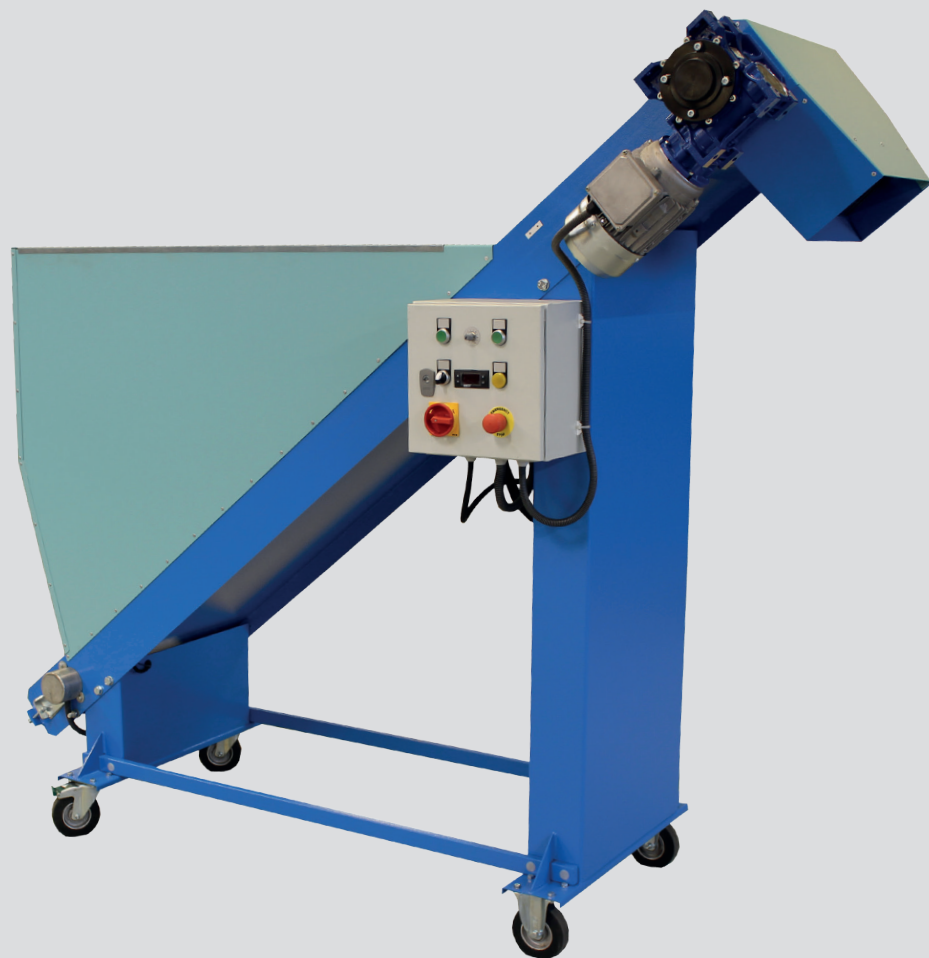


USER MANUAL 

JASOPELS SAWDUST HEATER

ITEM NO. 32100040



Our quality – Your choice

Jasopels 

TABLE OF CONTENTS

Preface.....	3
Declaration of Conformity	5
Symbol explanation	6
Introduction of the machine	6
Start-up	7
Operation	7
Maintenance	9
Technical data	9
Circuit diagram	10
Troubleshooting	12
User's notes	13

PREFACE

- This User Manual is an important part of your new machine. Read the manual thoroughly and use it as a reference book.
- This manual contains important information about safety and the correct use of the machine.
- The manual should be stored with the machine. It is important that the user manual is supplied with the machine upon resale and lending.
- The owner of the machine must make sure that the operator, service personnel and others who have access to the machine have been instructed in the correct use and handling of the machine. Refer to this user manual for further information.

DECLARATION OF CONFORMITY

EU DECLARATION OF CONFORMITY

Typebetegnelse: 3250-920225
Beskrivelse: Sawdust Heater

Manufacturer: Jasopels A/S
Tel.: +45 98 42 05 66
Address: Fabriksvej 19 DK-7441 Bording

JASOPELS A/S DECLARES THAT THIS PRODUCT IS IN ACCORDANCE WITH THE FOLLOWING EU DIRECTIVES:

2006/42/EC
2006/95/EC
2006/108/EC

FURTHERMORE, WE DECLARE THAT RELEVANT CHAPTERS OF THE FOLLOWING HARMONIZED STANDARDS HAVE BEEN APPLIED:

- EN 60204-1
- DS/EN 12100 : 2005
- DS/EN 14121-1
- DS/EN 14121-2
- DS/EN 13850
- DS/EN 13857 : 2008

STATEMENT ISSUED BY:

Name: Poul A. Bach
Company: Jasopels a/s
Address: Fabriksvej 19
Town: DK-7441 Bording

Signature:



Date November 1, 2011

CEO, Poul A. Bach, Fabriksvej 19, DK-7441 Bording, is entitled to supply technical files.

Updated: Oktober 20, 2016

SYMBOL EXPLANATION

- Please read this user manual and follow the included instructions. In order to emphasize certain information, the following expressions are used:

NOTE!



A triangle with an exclamation mark is a symbol that warns you of important instructions or information concerning this machine.

WARNING!



A triangle warning you of entanglement and crush hazard.

INTRODUCTION OF THE MACHINE

- The Sawdust Heater is designed to heat sawdust so that it can absorb more fat during tumbling, which makes the skins cleaner after tumbling.
- The Sawdust Heater is easy to operate but the user must read this manual before starting to use the machine.
- The machine's water heater can be preset to start using the timer.

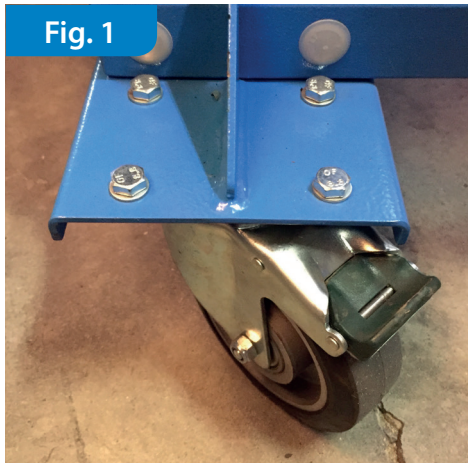
NOTE!

- The owner of the machine must make sure that the operator, service personnel and others who have access to the machine have been instructed in the correct use and handling of the machine. Refer to this user manual for further information.
- The machine may only be used for the purpose it has been designed for. The CE declaration becomes void upon any other use.
- If any problems should occur with the machine or its operation, they must not be fixed before the machine is properly switched off.
- The user manual should always be kept available for the operator.



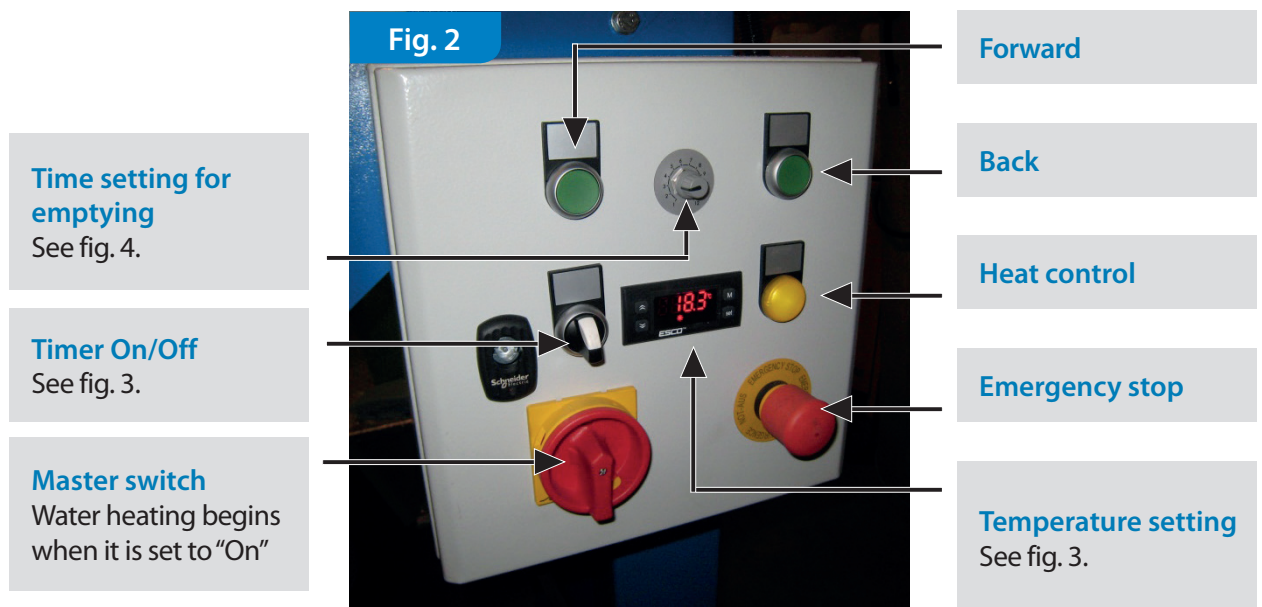
START-UP

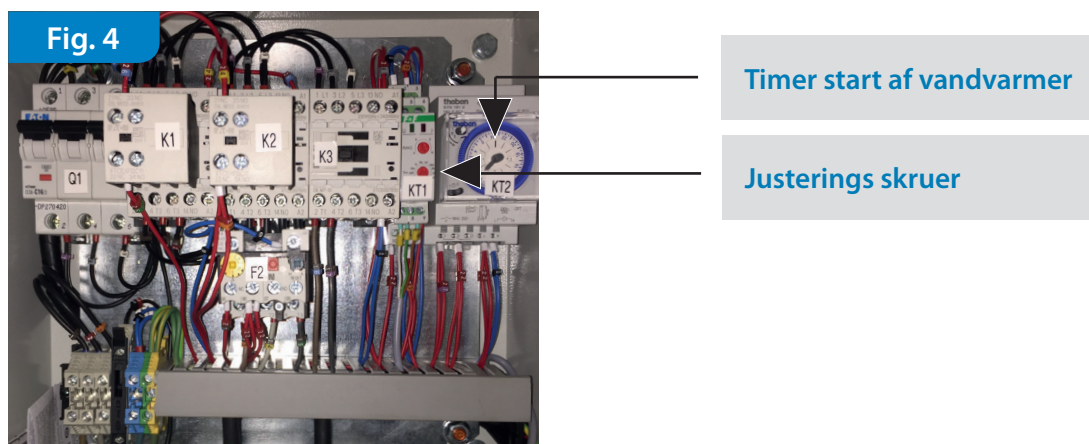
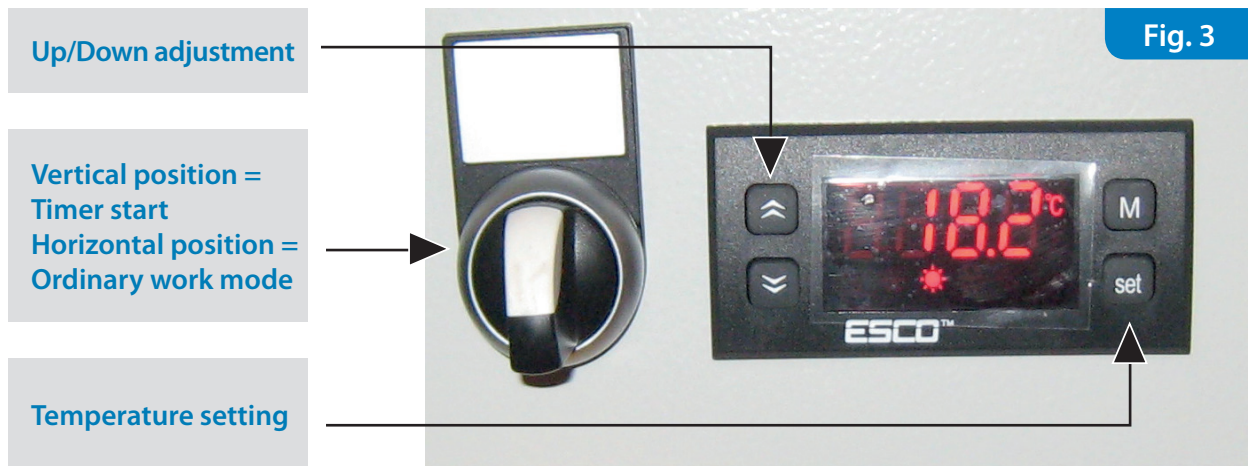
- Before start-up the machine must be placed on a firm and level floor. The machine's wheels need to be blocked (use the brakes to do that).
- After having placed the Sawdust Heater as described above, you can connect the electrical power supply.
- Fill the container with sawdust.
- The machine is now ready to be used.



OPERATION

If you have connected the Sawdust Heater as described in chapter 6, it is ready to be used.



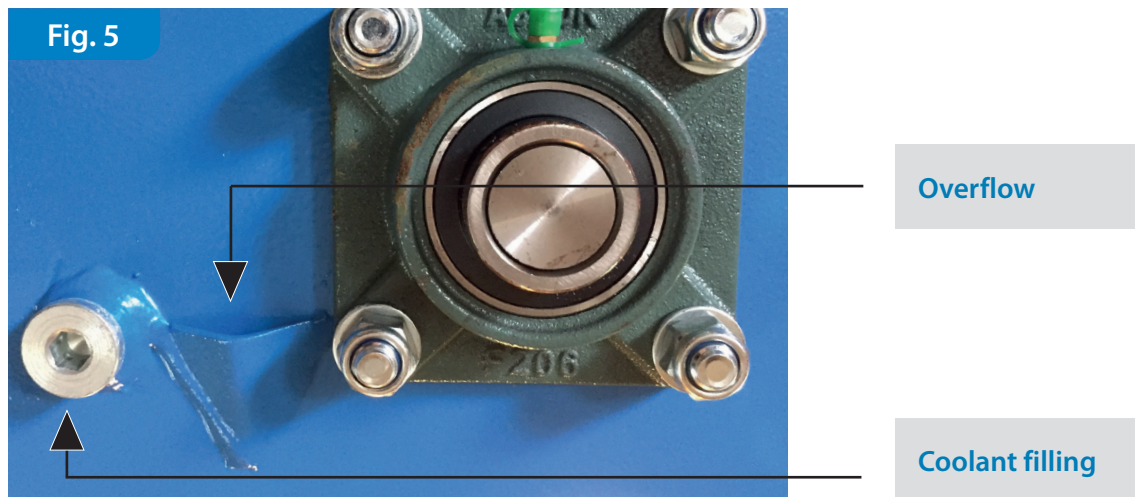


- The control panel that is used to control the machine.
- Keep SET pressed for a few seconds in order to change the temperature. After that you can set the temperature using the arrow keys. To finish press SET.
- When the switch is in vertical position, the machine runs according to timer settings. When it is in horizontal position, the machine runs in ordinary work mode.
- Setting the knob in fig. 2 to 1 gets the machine to remove sawdust for 10 sec.
- Setting the knob in fig. 2 to 5 gets the machine to remove sawdust for 50 sec.
- If you want to increase the emptying time, you can adjust that using the red plastic screws shown in fig. 4. The lower one is used for adjusting the number of seconds.
- It is possible to start the water heater using a timer so that the machine is already warm when you are about to begin your daily work.

MAINTENANCE

DANGER!

Always disconnect the machine's power supply before maintenance, cleaning and other service activities are performed on the machine.



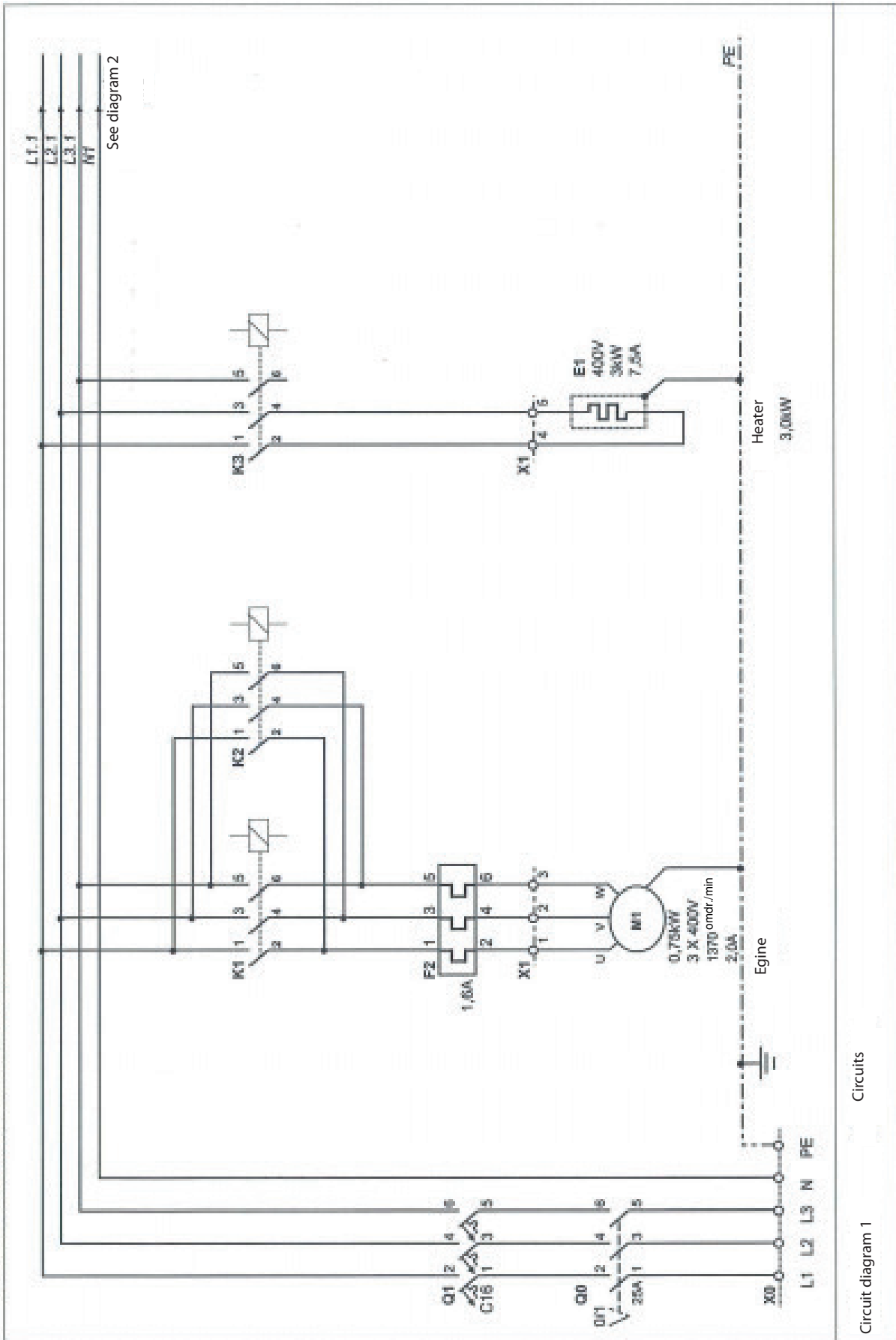
- The manufacturer has filled the machine with a coolant that is resistant to frost (up to -20 degrees).
- The machine's bearings need to be lubricated on a monthly basis.

TECHNICAL DATA

- Electrical connection 3 x 400v 16A
- Dimensions
 - Height: 192 cm
 - Length: 220 cm
 - Width: 90 cm
- Noise: No noise measurements have been taken regarding this machine. It is possible to have a normal conversation by the machine when it is operating.

10. CIRCUIT DIAGRAM

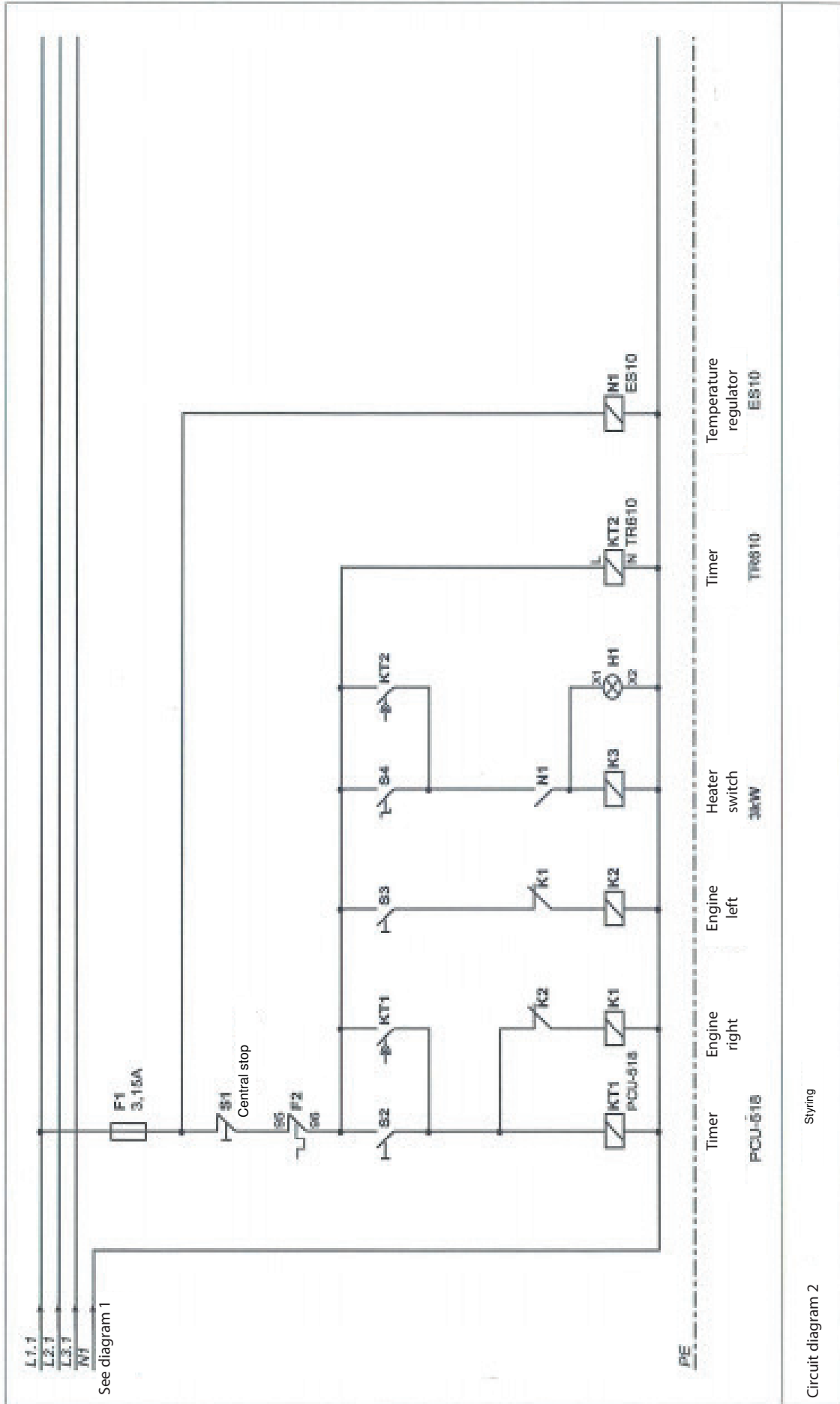
Circuit diagram 1



Circuit diagram 1

Circuits

Circuit diagram 2



Circuit diagram 2

Styring

TROUBLESHOOTING

DANGER!

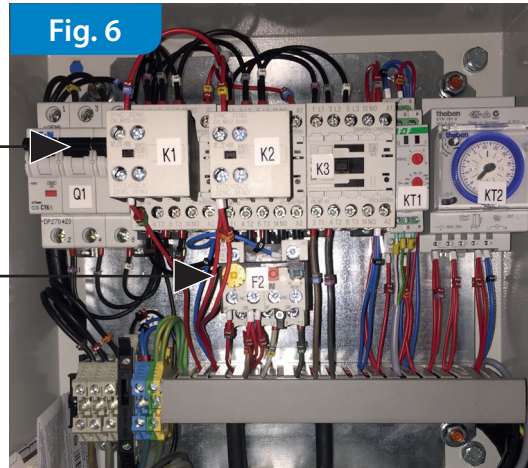
Always disconnect the machine's power supply before maintenance, cleaning and other service activities are performed on the machine.



Fig. 6

Circuit breaker
for water heater

Motor protection



- If the machine won't heat or the sawdust conveyor belt won't work, check the safety mechanism and the motor protection. The motor is re-engaged by pressing the red button.



Our quality – Your choice

Fabriksvej 19 • DK-7441 Bording • Phone +45 98 42 05 66 • info@jasopels.com • www.jasopels.com

Item no. 32500084



32500084